

F

E

D

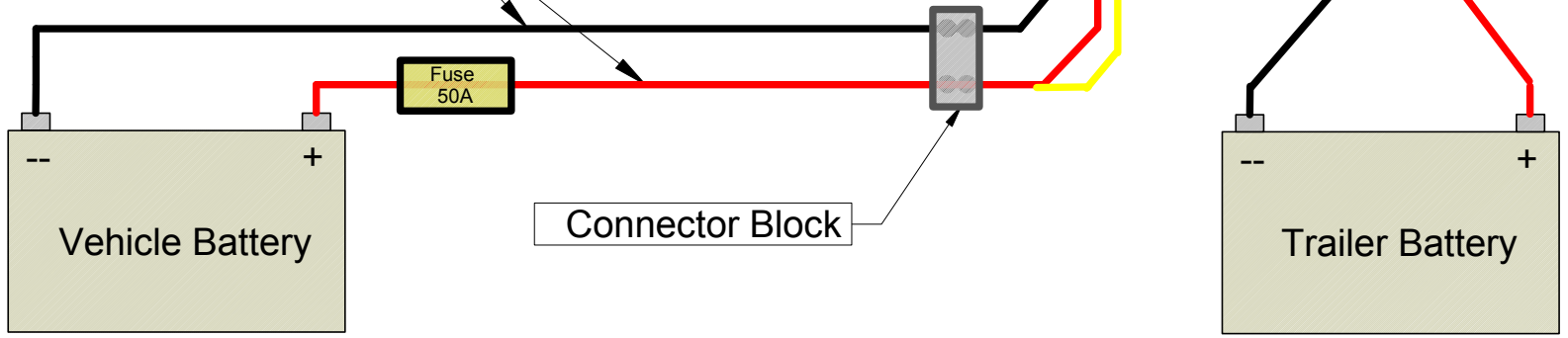
C

B

A



10sqmm multistrand panel wire
Maximum current = 30A



Tolerance:		HCdP	Title: HPP1 MK4 Alternative Wiring with optional inverter			
Material:						
Scale:	Not to Scale					
Date:	11 April 2014	Drw No.	HPP1 MK4 AW	Rev.	00	Iss.