

F

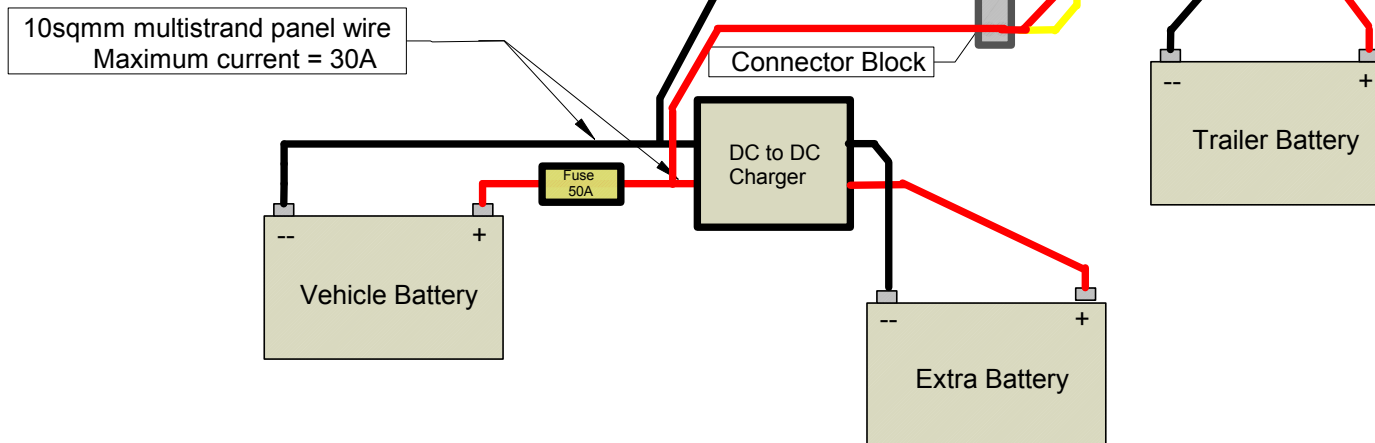
E

D

C

B

A



Correct wiring if DC to DC charger is used

Tolerance:		HCdP	Title: HPP1 MK4 Correct Wiring with optional inverter		
Material:					
Scale:	Not to Scale				
Date:	11 April 2014	Drw No.	HPP1 MK4 CW	Rev. 00	Iss.