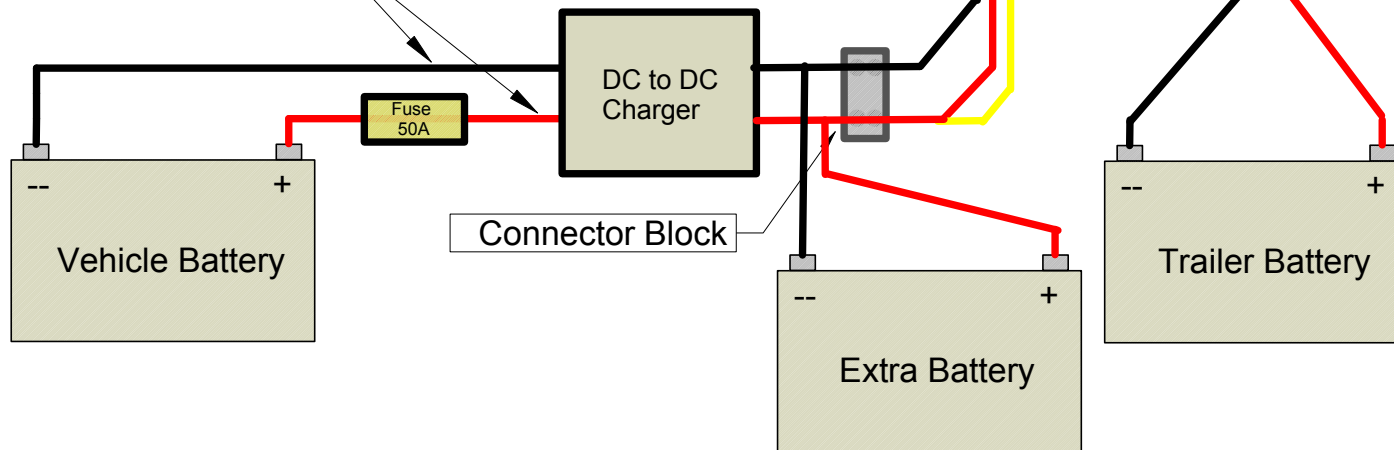




10sqmm multistrand panel wire  
Maximum current = 30A



Incorrect wiring - DC to DC charger cannot supply current demand of HPP1 MK4

Tolerance:	<b>HCdP</b>	<b>Title:</b> HPP1 MK4 Wrong Wiring with optional inverter	
Material:			
Scale: Not to Scale			
Date: 11 April 2014	Drw No. HPP1 MK4 WW	Rev. 00	Iss.